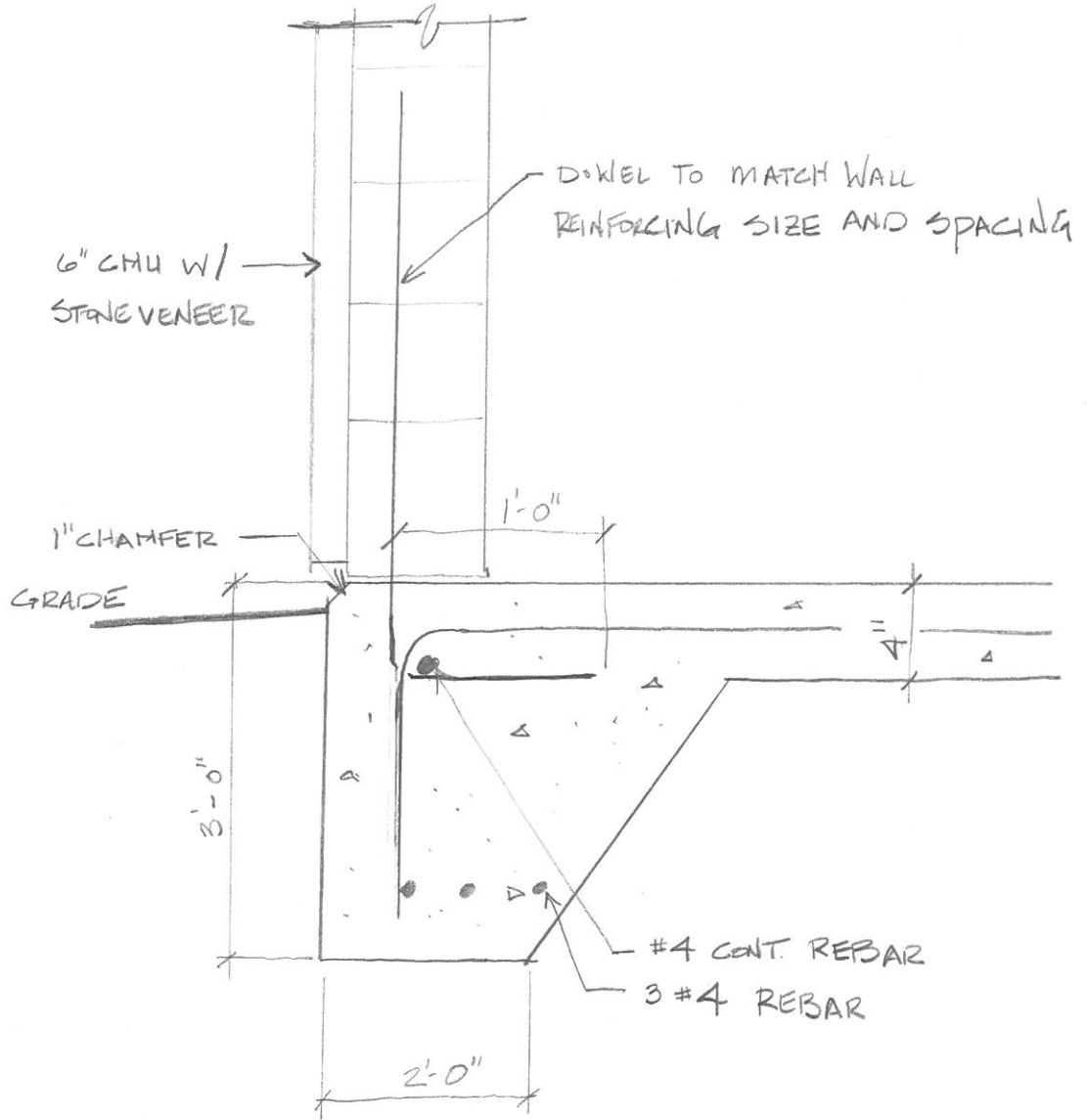


3981.E

DATE 3/19/13    COMPUTED BY BOTKIN  
COMM. NO. \_\_\_\_\_    CHECKED BY ENGLISH  
PROJECT MCKETHAN PARK    SHEET NO. \_\_\_\_\_ OF \_\_\_\_\_ SHEETS



MODIFICATION TO SLAB EDGE

NTS